



ROTARY LIMIT SWITCH



REV 0
Aug. 2020



SPECIFICATIONS:

Parameter	
Main Shaft Revolution Ratio	1:50, 1:100, 1:200 & 1:400
Number of Poles	2NO+2NC or 4NO+4NC
Cam Profile	10° - Default 60° - On request
Shaft Size	8mm - Default size 12mm - using additional adapter on request
Mechanical Life	1x10 ⁶ Operations
Protection Degree	IP 65*
Mounting	Base
Operational Temperature	-5°C to 55°C
Insulation category	Class II
Microswitch	
Contact Type	Change Over
Rated Voltage	230 V
Rated Current	10 A
Contact Termination	4.8 x 0.8 Faston Terminal
Cable Entry	Cable Clamp M16

* Third party not tested

ORDERING INFORMATION:

Ordering Code	Revolution Ratio	Number of Poles
RLS05210LBS1H	1:50	2NO+2NC
RLS10210LBS1H	1:100	
RLS20210LBS1H	1:200	
RLS40210LBS1H	1:400	
RLS05410LBS1H	1:50	4NO+4NC
RLS10410LBS1H	1:100	
RLS20410LBS1H	1:200	
RLS40410LBS1H	1:400	

Note :

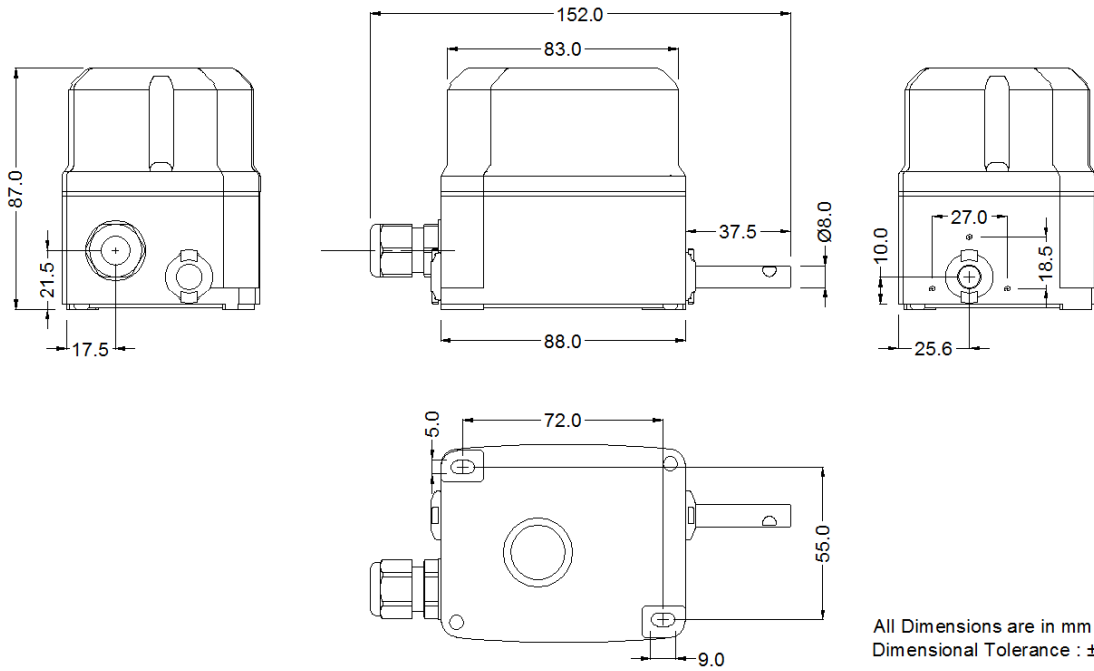
- The above mentioned ordering code samples are with 10° cam profile and 8 mm shaft.
- The 60° cam profile and 12mm shaft will be provided on request.

ROTARY LIMIT SWITCH



DIMENSION DETAILS:

2NO+2NC (1:50, 1:100, 1:200)



All Dimensions are in mm
Dimensional Tolerance : $\pm 0.5\text{mm}$

PRODUCT PHOTO:

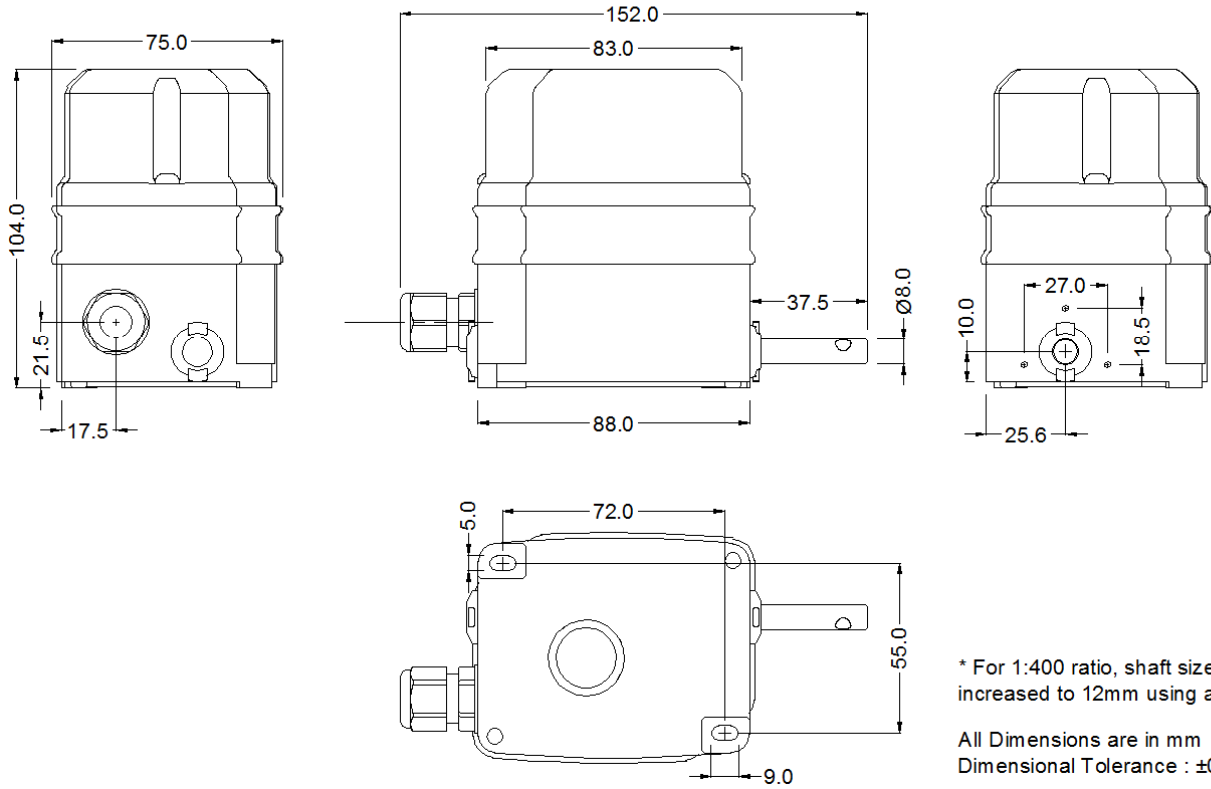


ROTARY LIMIT SWITCH



DIMENSION DETAILS:

4NO+4NC (1:50, 1:100, 1:200, 1:400) & 2NO+2NC (1:400)



* For 1:400 ratio, shaft size can be increased to 12mm using adapter

All Dimensions are in mm
Dimensional Tolerance : $\pm 0.5\text{mm}$

PRODUCT PHOTO:



NOTES

REV 0
Aug. 2020

Salzer Electronics Limited

Registered & Corporate Office: Samichettipalayam, Coimbatore - 641 047, India.

Phone: +91 422 - 2692531, 4233600 Fax: +91 422 - 2692170

e-mail: sales@salzergroup.com | salzer@salzergroup.com

www.salzergroup.com

